



NOGGING SCHEDULE

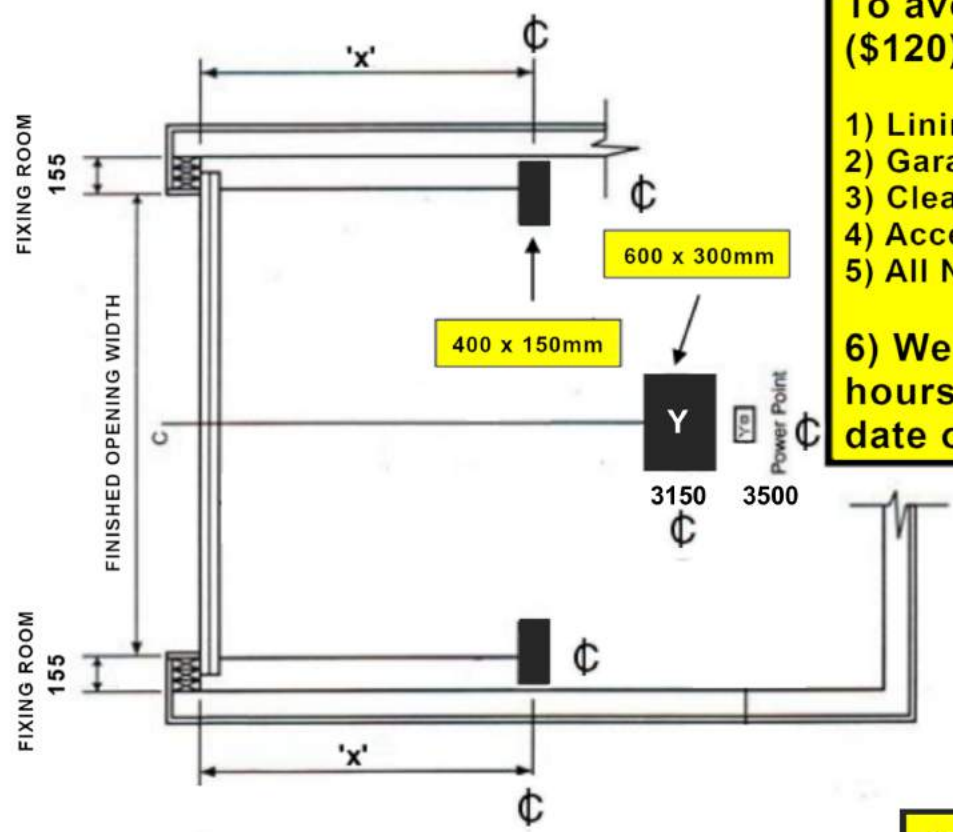
Up to 2.425 High

Booking Installation - 09 6389474

Call us a minimum of 2 weeks before requested installation date to book install.

To avoid a non-install charge (\$120) please ensure;

- 1) Lining on ceiling walls are complete
- 2) Garage is clear 4m back from the door
- 3) Clear access on garage driveway
- 4) Access to power supply in garage
- 5) All Nogs ready as per this sheet
- 6) We need a minimum of 48 hours to change the installation date once it is booked !

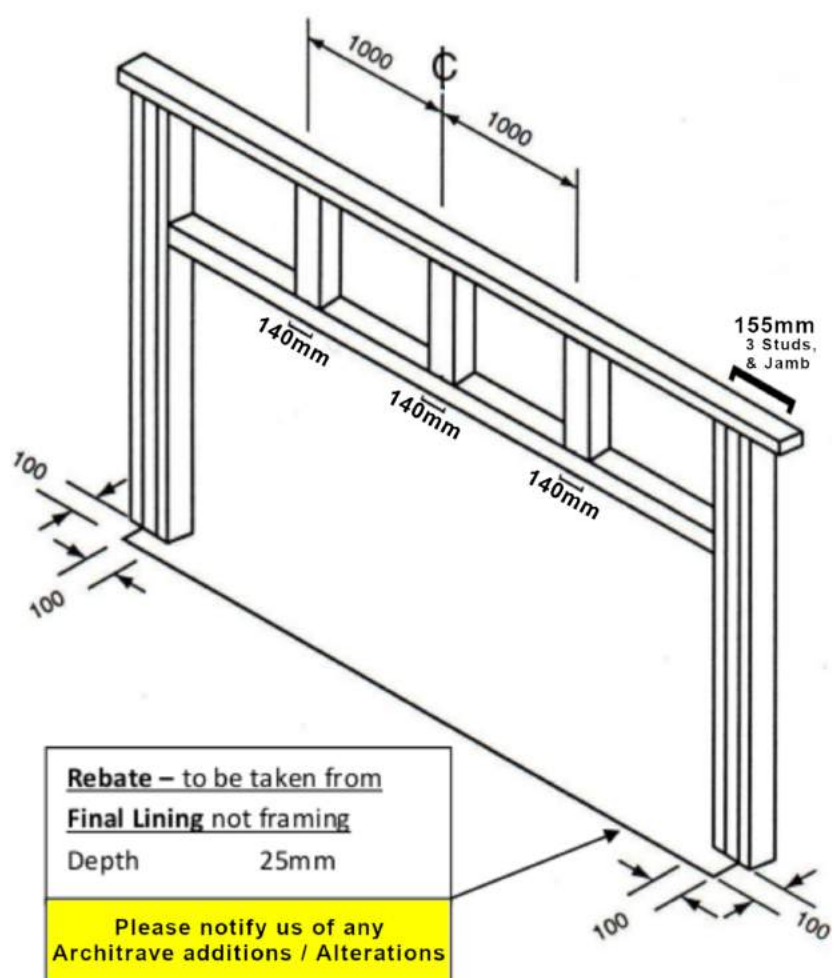


Fixing	
DOOR HEIGHT	"X"
Up to 2200mm	2100
2201 to 2425	2340

Measurements after Gib is installed		
	Standard	Low
Headroom	350mm	200mm
Sideroom	155mm	110mm+
Backspace to Motor	Door Height + 900mm	Door Height + 1100mm

If Coving is being used, the headroom is taken from the bottom of the coving

NOTE: Doors over 150kg require
 - Fixings at 1/2x and 1/2y
 Please Consult your Sales Rep for;
 - Doors over 6000w
 - Doors over 200kg



Rebate – to be taken from Final Lining not framing
 Depth 25mm

Please notify us of any Architrave additions / Alterations

☉ All Nogs must be centred

Any Questions call your Sales Representative or Prestige Office on 09 638 9474