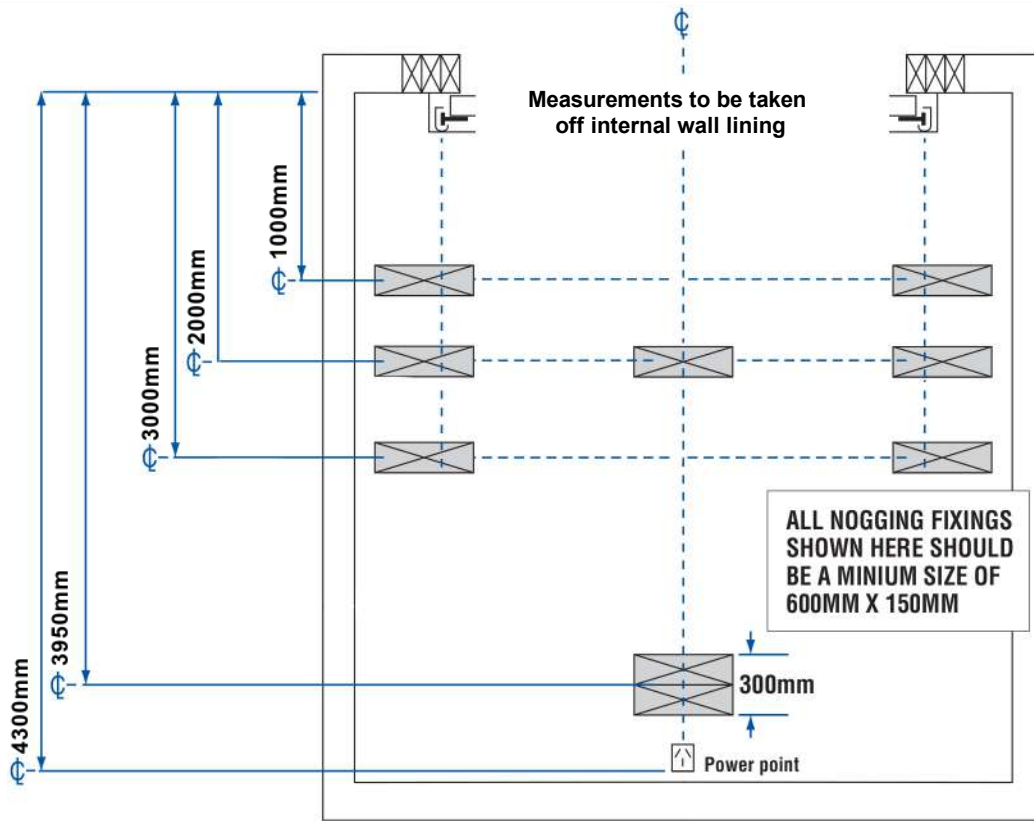


Suitable for Precision
GTS-2 or Genius
GTS-3

Please contact us for motor fixings
if alternative motor required



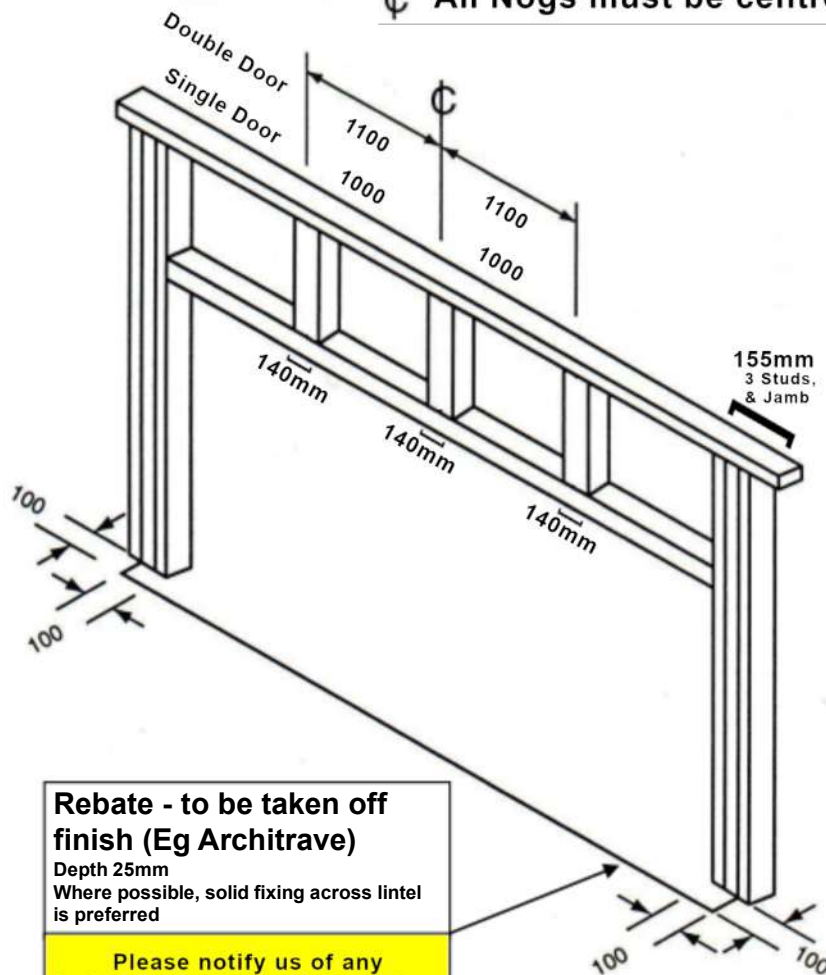
| Measurements after Gib is installed | | |
|-------------------------------------|---------------------|----------------------|
| | Standard | Low |
| Headroom | 350mm | 200mm |
| Sideroom | 155mm | 110mm+ |
| Backspace to Motor | Door Height + 900mm | Door Height + 1100mm |

If Coving is being used, the headroom is taken from the bottom of the coving

Please Consult your Sales Rep for;

- Doors over 6000w
- Doors over 2750h
- Doors over 200kg

☉ All Nogs must be centred



Rebate - to be taken off finish (Eg Architrave)
Depth 25mm
Where possible, solid fixing across lintel is preferred

Please notify us of any Architrave additions / Alterations

Booking Installation - 09 6389474

Call us a minimum of 2 weeks before requested installation date to book install.

To avoid a non-install charge (\$120) please ensure;

- 1) Lining on ceiling walls are complete
- 2) Garage is clear 4m back from the door
- 3) Clear access on garage driveway
- 4) Access to power supply in garage
- 5) All Nogs ready as per this sheet

6) We need a minimum of 48 hours to change the installation date once it is booked !

Any Questions call your Sales Representative or Prestige Office on 09 638 9474